

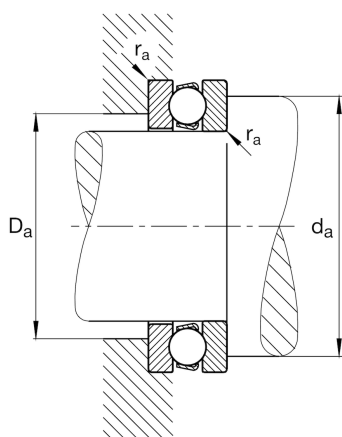
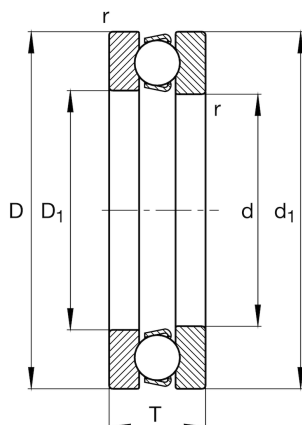
FAG

51309

Axial deep groove ball bearing

Schaeffler ID:  
0167153140000Axial deep groove ball bearing 513, single  
direction, steel sheet metal cage

## Technical information



## Main Dimensions &amp; Performance Data

d	45 mm	Bore diameter
D	85 mm	Outside diameter
T	28 mm	Height
$C_a$	75,000 N	Basic dynamic load rating, axial
$C_{0a}$	140,000 N	Basic static load rating, axial
$C_{ua}$	6,500 N	Fatigue load limit, axial
$n_G$	3,800 1/min	Limiting speed
$n_{gr}$	6,800 1/min	Reference speed
	0.642 kg	Weight

## Dimensions

$r_{min}$	1 mm	Minimum chamfer dimension
$D_1$	47 mm	Bore diameter housing washer
$d_1$	85 mm	Lip diameter shaft washer

## Mounting dimensions

$d_{a min}$	69 mm	Minimum diameter shaft shoulder
$D_{a max}$	61 mm	Maximum diameter of housing shoulder
$r_{a max}$	1 mm	Maximum recess radius

## Additional information

A	0.12	Minimum load factor
---	------	---------------------

## Temperature range

$T_{min}$	-30 °C	Operating temperature min.
$T_{max}$	150 °C	Operating temperature max.